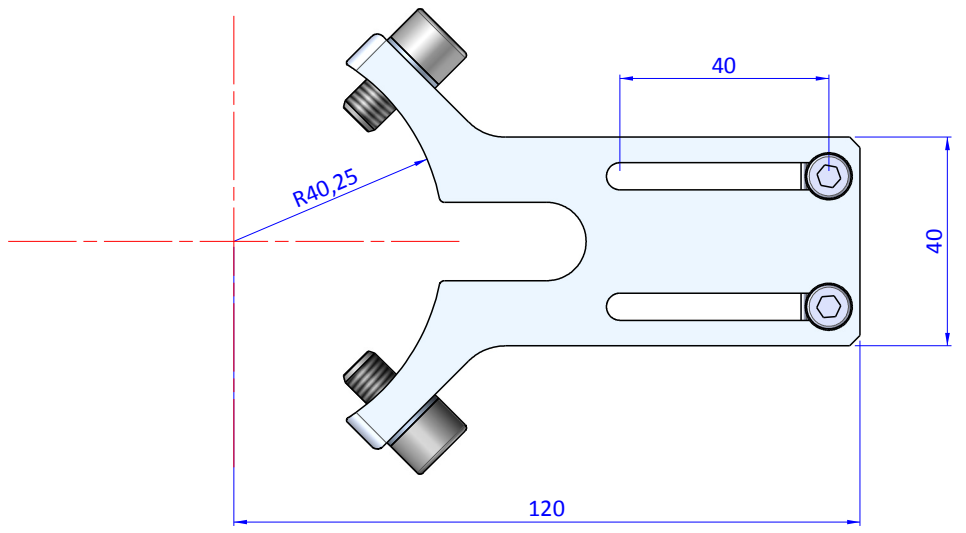
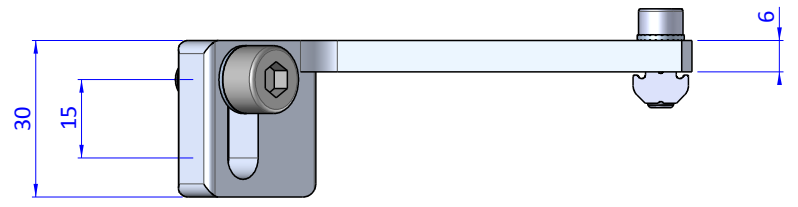
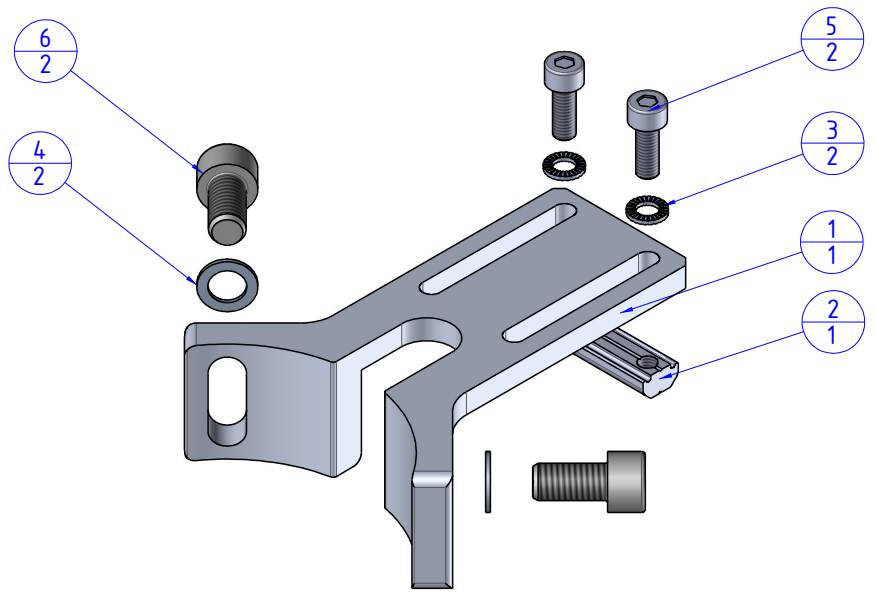



THE PROPERTY OF THE DRAWING IS ESTABLISHED BY LAW. IT IS FORBIDDEN TO PRODUCE OR SHOW IT TO THIRD PART, WITHOUT A WRITTEN AGREEMENT.

Item	Name	Q.ty
1	09.17.2045	1
2	CA.GWP.5.25	1
3	R.5.SCH	2
4	R.8.SCH	2
5	VTCE5x14	2
6	VTCE8x16	2



Format A3
UNI 936-76

 FPS SERVICES AUTOMATION		DESIGNED FROM		REVIEW
		FPS Automation		A
GENERAL TOLERANCE		DATE	WEIGHT	
UNI - ISO 2768		31/05/2019	0,104kg	
CLASSE f		CODE		
		CA.09.17.2045.X		CA.09.17.2045.X